

# SIMPLE SETUP GUIDE FOR DX-VS1UE

The following procedure will allow you to quickly configure the DX-VS1UE Mitsubishi Video Server Box. Please read this document before you start configuring the unit. *Additional information is found in the User Manual.*

## Features:

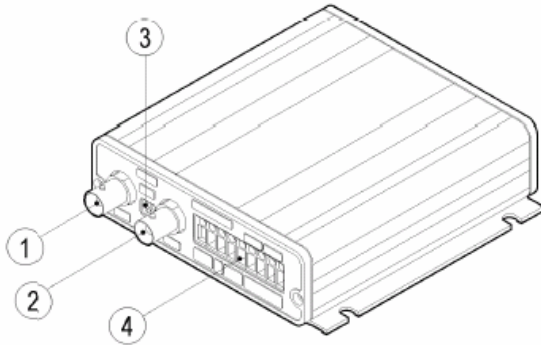
Easy to Operate  
30pps (360X243)  
Network Ready  
PTZ Control

EMAIL Notification  
Variable Resolution  
Password Protection  
Network Throttle

Web Browser Based  
Variable Picture Grades  
DVR Control (DX-TL2500U and DX-TL900U)

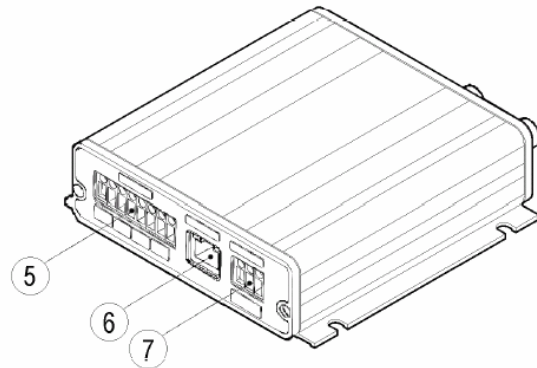
## Front View:

1. Video Input (from camera or DVR)
2. Video Output (to CCTV monitor)
3. Video Termination Switches
4. RS-232 and RS-422/485 Terminals



## Back View:

5. Input Sensor Terminal
6. Ethernet Connection
7. Power Supply Connection



## Before Turning ON the DX-VS1UE:

Before you turn on DX-VS1UE make all necessary connections to the Front and Back of the unit.

### Front Side of DX-VS1UE

1. Connect the camera or DVR video output to the DX-VS1UE input
2. Connect the video output of the VS1UE to the CCTV monitor (if being used).
  - a. Set the Video Termination Dip switches (Both to OFF/DOWN if a CCTV monitor is being used, if not, set to ON).
3. If a DVR is used to provide the signal source, control of the DVR by the DX-VS1UE is needed. To do this, connect the two units together using the provide RS-232 cable assembly (one end with a 9 pin D female connector, other end with Red, Yellow and Black wires). Connect the D connector side to the DVR RS-232 port. Connect the other side of the cable to left most RS-232 Terminals on the VS1UE (RS-232 closet to Video Out connection). Match the Yellow cable TX to Video Server Box TX1 Terminal input, also Red cable RX to Video Server Box RX1 terminal input and ground to ground.
4. If you are using a PTZ camera, connect the PTZ camera data wires to the RS-232 or RS-422/485 (which ever is being used) of the DX-VS1UE.

### Back Side of DX-VS1UE

1. Connect the appropriate LAN cable to the Ethernet connector, and the other end of the cable to your LAN Hub or PC's Ethernet port.
2. Connect the DC Power Cables to the +12VDC and Ground.
3. If sensors are being used, connect these sensors to Sensor Input 1-4 (observe polarity).

## Power Up & SETUP:

This is a two step process, first, power-up all connected devices to the DX-VS1UE (cameras, DVR and PC). Second, provide power to the DX-VS1UE.

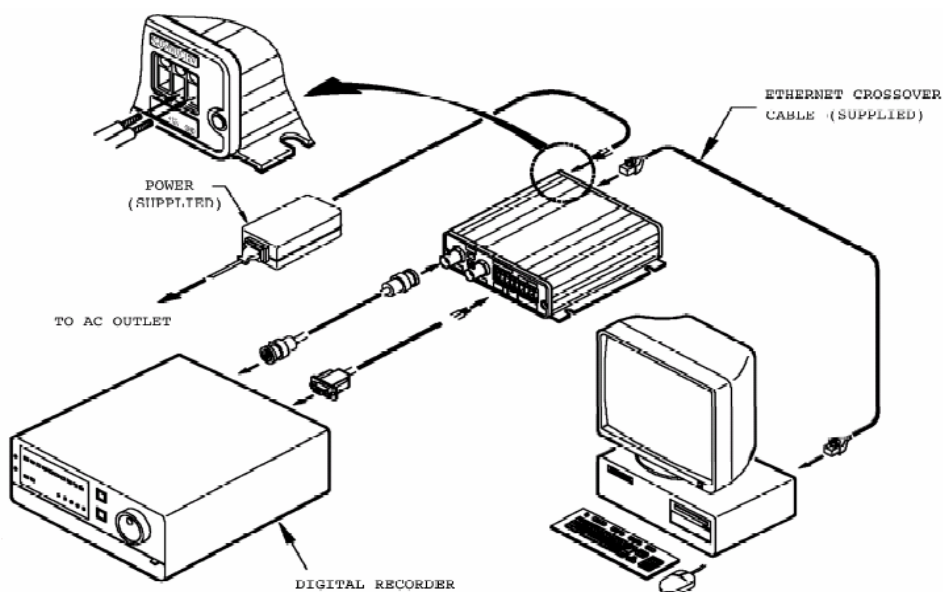
- If a camera and CCTV monitor are being used, after a couple of seconds you should have live view of the camera image on the CCTV monitor.

### Connecting the DX-VS1UE to a Network:

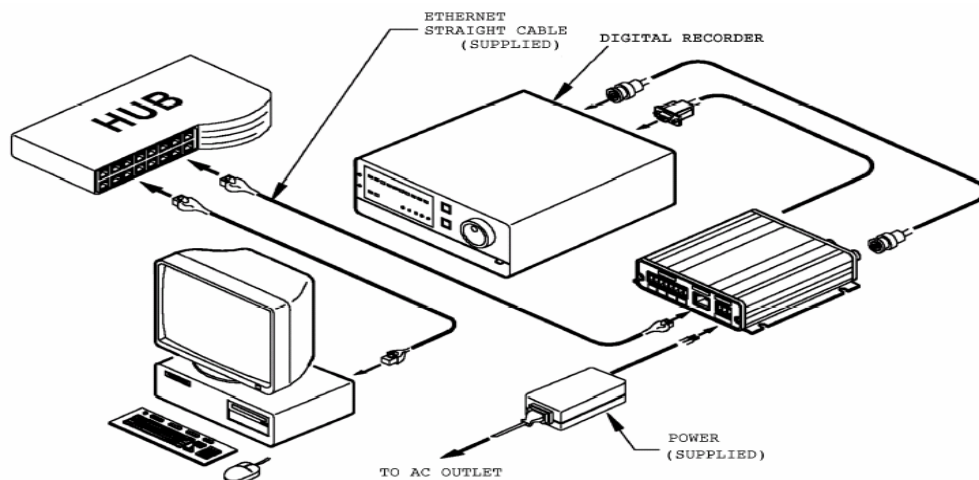
Before you can start to configure the DX-VS1UE, you must first assign a Static IP address to the DX-VS1UE. This will enable you to communicate with the unit. Two types of connections are supported to configure the DX-VS1UE, a crossover cable which allows you to connect your PC Ethernet port directly to the DX-VS1UE Ethernet port, or via a straight LAN cable which is used to connect both the PC and DX-VS1UE to a LAN Hub. Both cables are found inside the DX-VS1UE box. The RED tipped cable is the crossover cable and the WHITE tipped cable is the straight cable

Note: If the DX-VS1UE is being connected to a PC with a crossover cable, you must assign the DX-VS1UE an IP address that is in the same subnet as your PC (example: PC IP address = 192.168.0.101, DX-VS1UE IP address can be 192.168.0.100). If connecting the VS1UE to an open network, a STATIC IP address along with its Subnet Mask and Gateway address are needed that are in the same network domain as the connecting PCs. This information is normally provided by the network administrator.

1. **Crossover cable connection** - Ensure the DX-VS1UE is connected to the clients PC via crossover cable (red tipped cable supplied with the DX-VS1UE).



2. **Straight Cable** – Use the white tipped Ethernet cable provided and connect the DX-VS1UE to a network port.



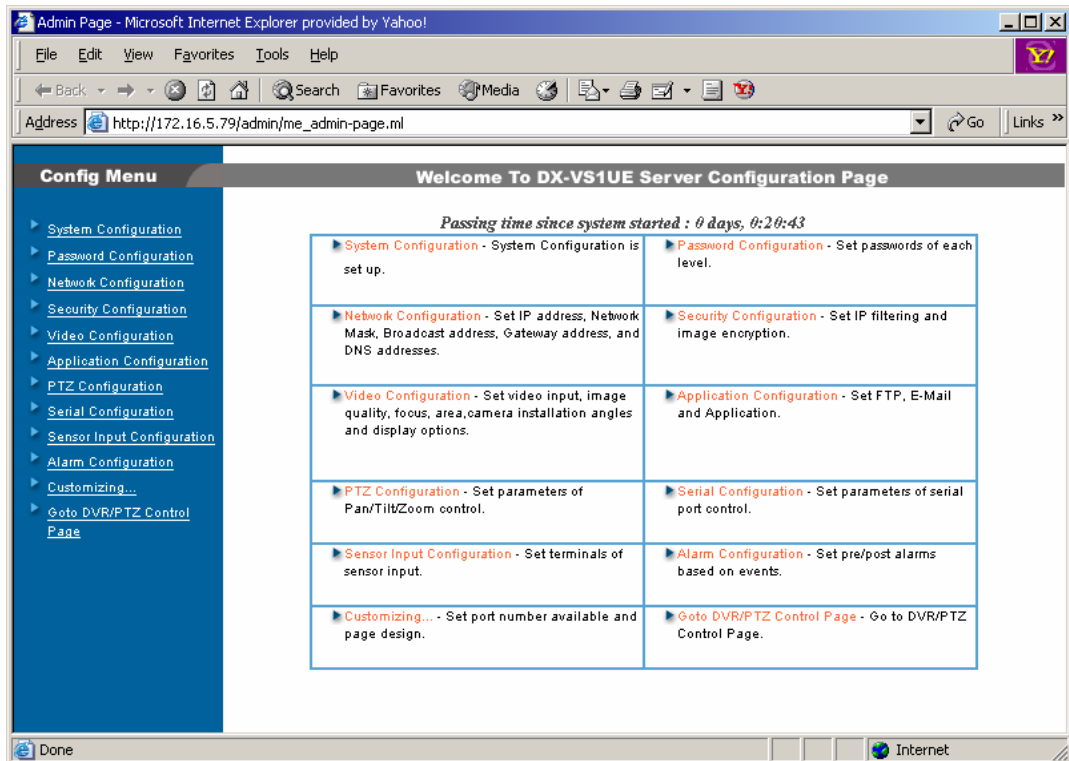
### Notes:

1. The Power cable must be connected after the Ethernet cable, this is to avoid damage to the DX-VS1UE.
2. Check the LED of the DX-VS1UE (LED is found inside the Ethernet Jack) after applying power, a yellow LED will be on for the first 4-5 seconds, then it will go OFF, then a GREEN LED will be on for the first 1-2 seconds. From this point the GREEN LED will blink every second as long as the DX-VS1UE is connected to a network.

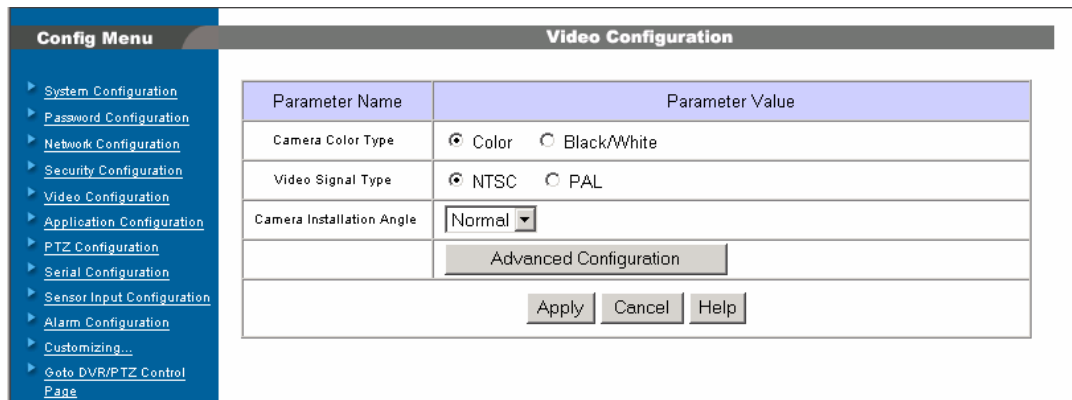




8. **Server Configuration Page** – Once Active X is installed on your PC the DX-VS1UE Server Page Configuration will appear on your PC screen. This screen will be used to configure and setup the various sections of the Server Box.



9. **Video Configuration** – From the Configuration Page select “Video Configuration” set the Camera color type to either Color or Black/White and set the Video Signal to NTSC. Select Apply and OK.



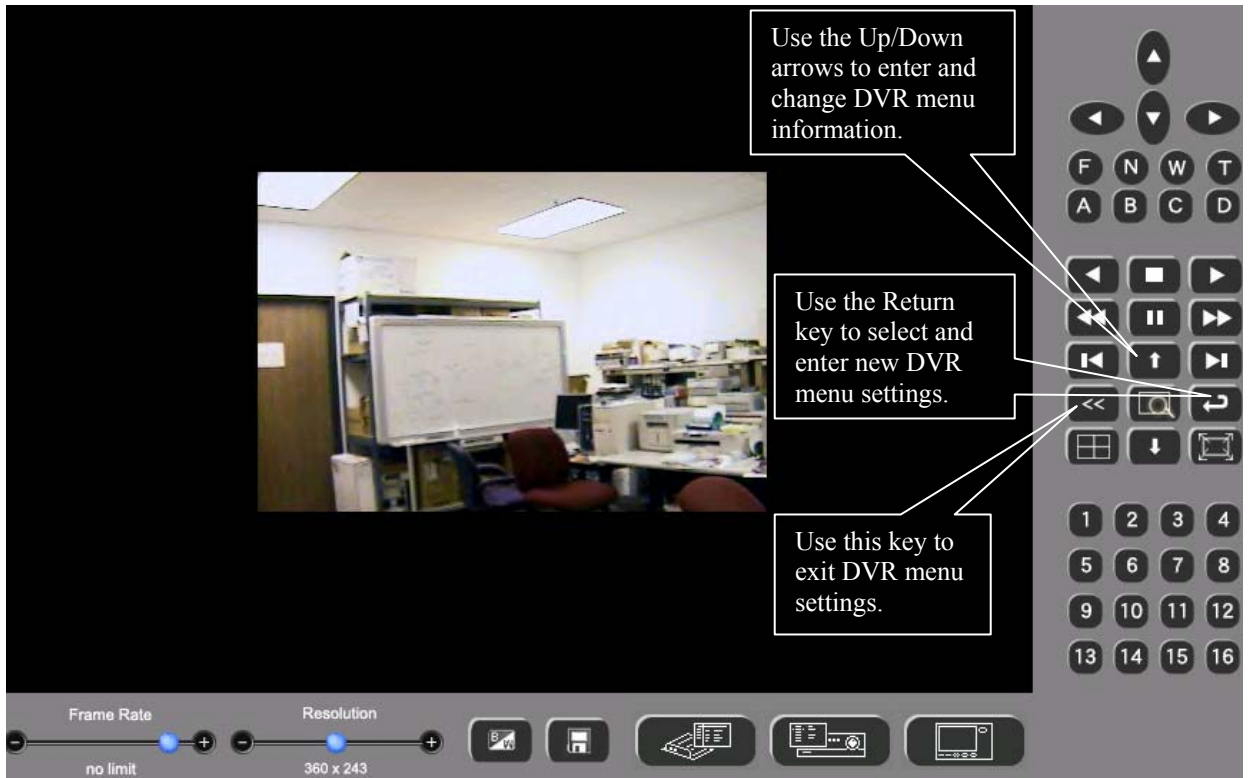
10. **Serial Configuration** – From the Configuration Page select “Serial Configuration”, set Serial#1 to DX-TL800E(this model is equivalent to the DX-TL2500U and DX-TL900). This will provide full control of both DX-TL2500U and DX-TL900U DVRs. Notice the Control Parameters, they must match the RS-232 Control Parameters of the DVR (DX-TL2500U or DX-TL900U). After these changes are made, select Apply and OK to register the new settings.

Config Menu		Serial Configuration	
Parameter Name	Parameter Value		
Select Serial Port	Serial#1		
Port Device Name	1:RS232		
Select Attached Device	DX-TL800E		
Control Parameters	Baud Rate :	9600 bps	
	Stop Bits :	1 bit	
	Data Bits :	8 bits	
	Parity Check :	NONE	
<input type="button" value="Apply"/> <input type="button" value="Cancel"/> <input type="button" value="Help"/>			

11. **PTZ Configuration** – From the Configuration Page select “Serial Configuration” select Serial #2 for PTZ cameras that communicate via RS-232, or select Serial#3 for PTZ units that communicate via RS-422 or RS-485. Once you select the type of camera being used a new menu will appear which will enable you to select the Control Parameters (Baud Rate, Stop and Data bits along with Parity) ensure this data is matched with the PTZ camera settings. After these changes are made, select Apply and OK to register the new settings.

Config Menu		Serial Configuration	
Parameter Name	Parameter Value		
Select Serial Port	Serial#2		
Port Device Name	2:RS232		
Select Attached Device	None		
	<div style="border: 1px solid black; padding: 2px;"> None  Manual Setting  PHILIPS(M)  Pelco P(M)  Pelco D(M)  Sensormatic(M)  VT VPT-4x(M)  Sony EVI-D3x  FastDome(M) </div>		
<input type="button" value="Apply"/> <input type="button" value="Cancel"/> <input type="button" value="Help"/>			

12. **Go To DVR/PTZ** – After the above settings, you should now be able to view video from a camera or DVR. If a DVR and or PTZ camera is being used, you should also be able to control the functions of either unit. The control buttons on the top right are for the PTZ camera, the control buttons in the middle and lower right are for the DVR. To program the DVR from the DX-VS1UE you must first enter the DVR Configuration Page, enter the password (“admin”) and press the MENU button on the right side of the screen. To Exit, simply close the web browser.

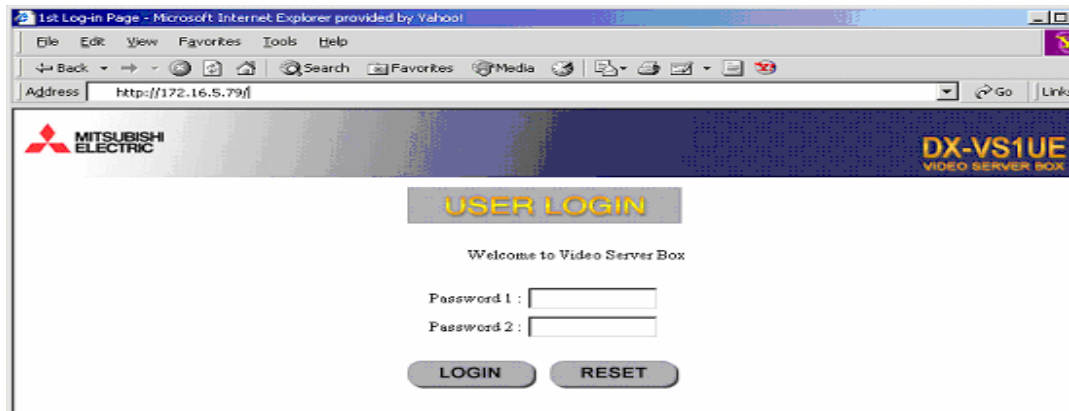


### Viewing Images Through the Network:

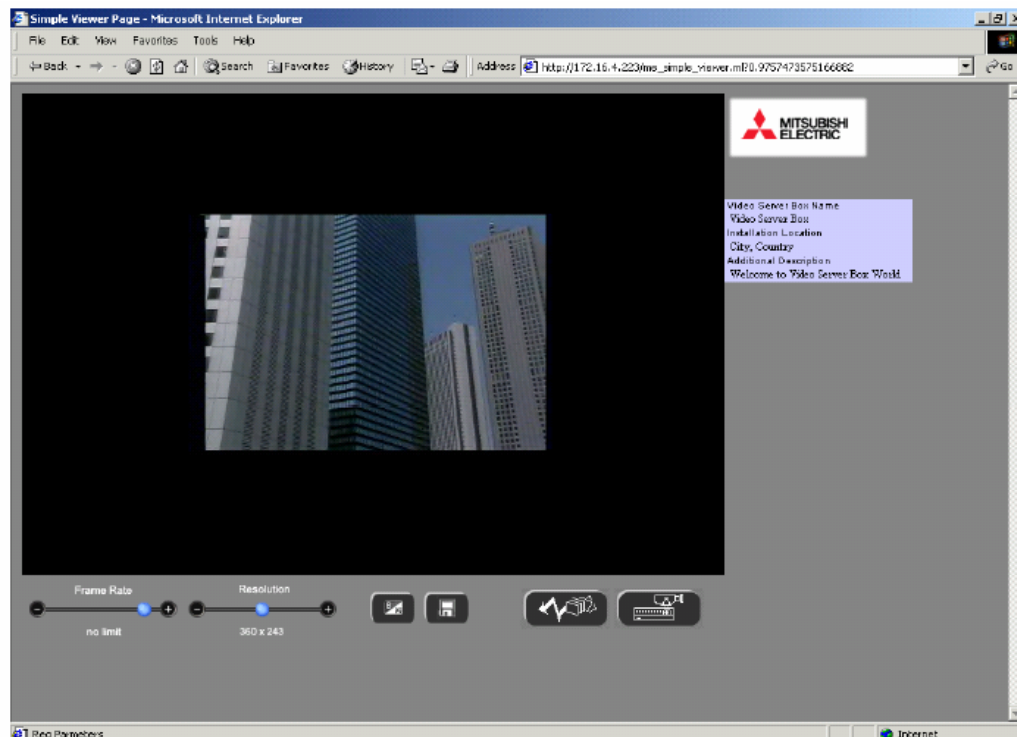
1. Start up the Web browser and enter the new IP address of the DX-VS1UE in the address field.



2. Enter the **password** into each field and press “LOGIN” button. The **default value at this level of each password is not configured, just press click on “LOGIN”**. This is true for User Login and DVR/PTZ Control Login. **For DVR Configuration Control or Server Configuration Control the default password is “admin”**.



3. You should now be in the Simple Viewers Page” and the camera or DVR (if playing back) videos image should be seen on the pc screen. From this screen you can only view live images. To go to the various levels click on the DVR/PTZ for DVR/PTZ Control (default is no password). From this page you can go to the DVR Configuration Page or to the DX-VS1UE Configuration Page (remember the Password is “admin”) or back to the Simple Viewer Page. Use the buttons on the bottom of the Screen for these various levels.
4. Depending on the level page you are at, depends on the control buttons available. To use these buttons, simply click on the button with the PC mouse and follow the instructions.



**For more information** on the DX-VS1UE or how to use it, view or print out the User Manual found on the provided CD.